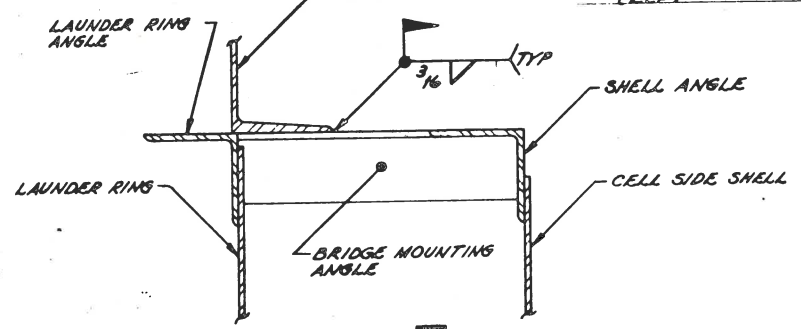
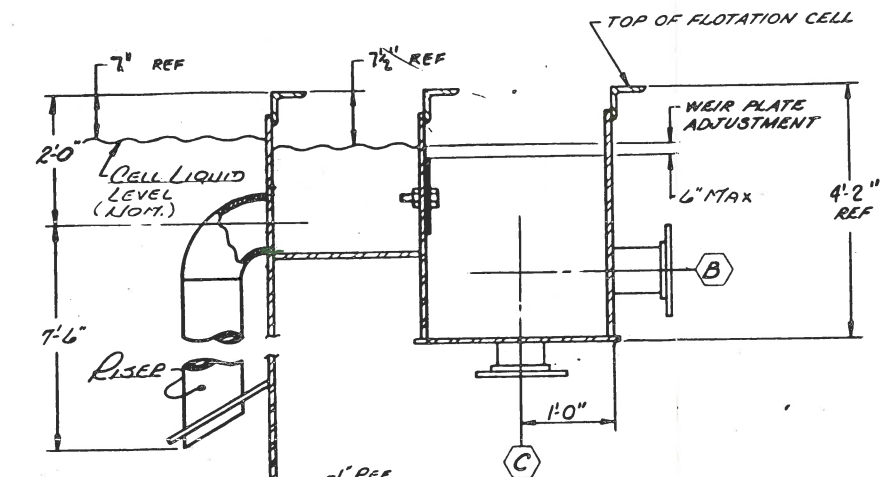
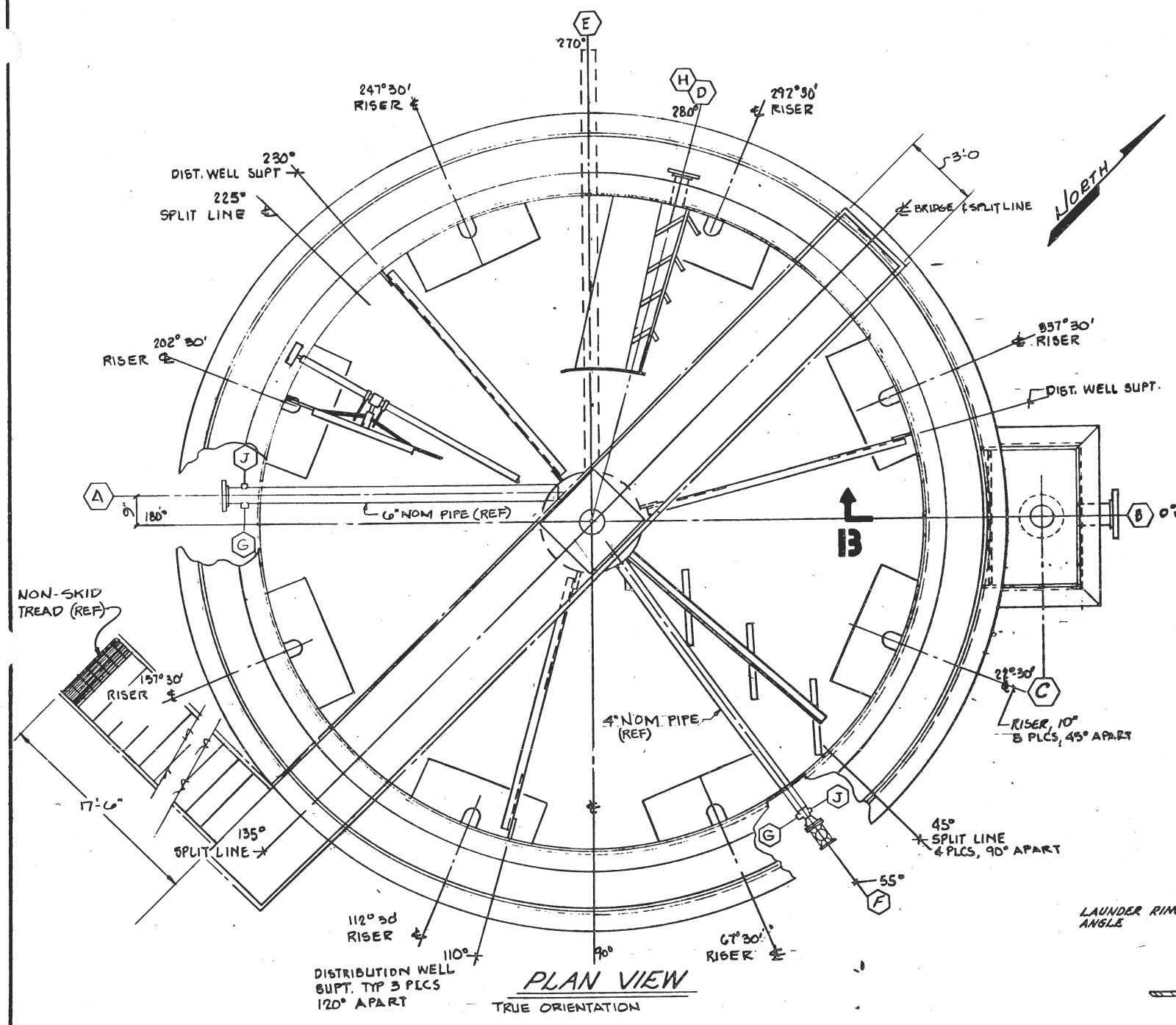


REVISIONS				
LET	DESCRIPTION	BY	CHKD	DATE
A	REVISED FOR CUSTOMER COMMENTS	EWJ	ARM	9-21-82
B	MOVE NOZZLE "A" ADD NOZZLE "G"	TL	ARM	11-10-82
C	RE-LOCATE STAIR WAY	TL		

NOZZLE SCHEDULE

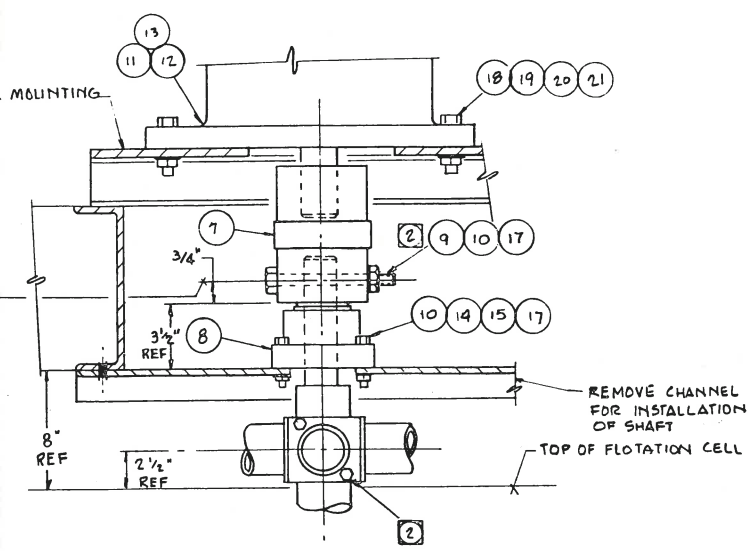
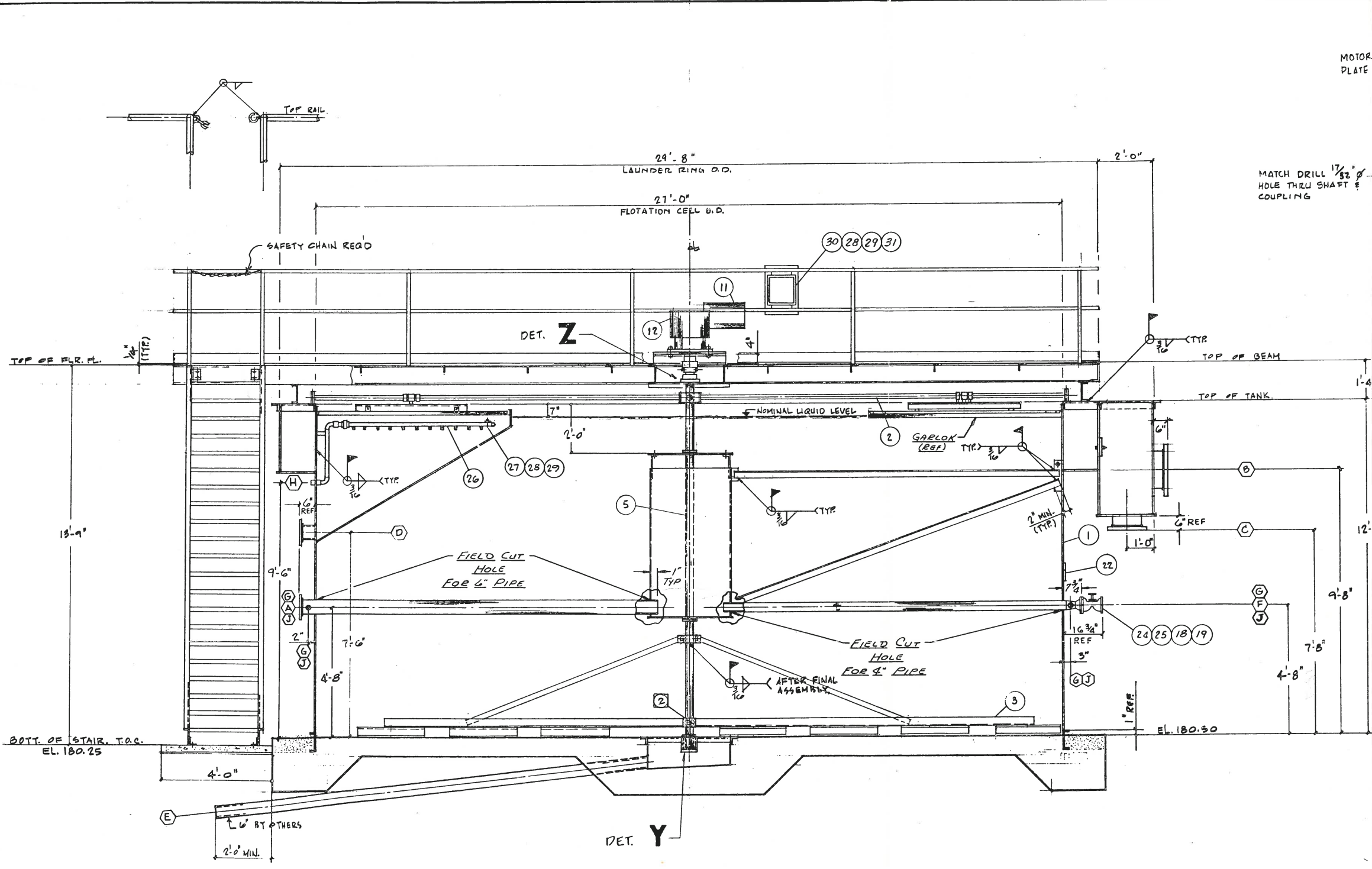
MARK	SIZE	FUNCTION	DESCRIPTION
A	6"	INFLUENT	150# ANSI FLANGE, R.F.
B	16"	EFFLUENT	150# ANSI FLANGE, R.F.
C	14"	RECYCLE	150# ANSI FLANGE, R.F.
D	6"	FLOAT	150# ANSI FLANGE, R.F.
E	6"	DRAIN	150# ANSI FLANGE, R.F.
F	2 1/2"	RECYCLE INLET	150# ANSI FLANGE, R.F.
G	1 1/2"	CHEMICAL INJ	150# FNPT HALF CPLG.
H	1 1/2"	SLUDGE SPRAY HEADER	150# FNPT FULL CPLG.
J	1 1/4"	CHEMICAL INJECTION	150# FNPT HALF CPLG.



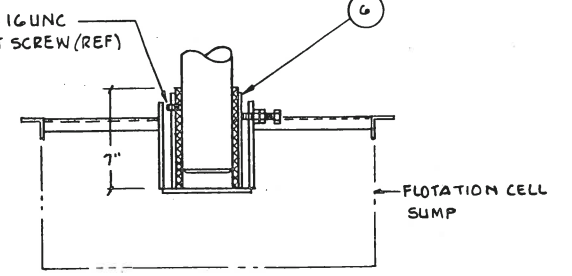
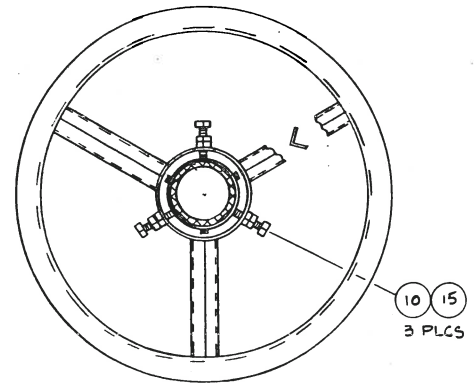
NOTES

- SEE PARTS LIST PL 880-089 FOR BILL OF MATERIAL.
- USE HIGH STRENGTH FASTENERS ONLY; GRADE 5 MIN
- FINISH SPECIFICATION: ALL STEEL EXCEPT STAINLESS CLEAN PER SSPC-SP3-G3 POWER TOOL CLEAN PRIME WITH STANDARD SHOP PRIMER

ITEM	DESCRIPTION	PART/STK. NO.	MATL./MFR.	SIZE	QTY.
BILL OF MATERIAL					
UNLESS OTHERWISE NOTED					
FRACTIONS:	0'-12" ± 1/16"	ANGLES ± 0°30'	DEC. ± .015"	REMOVE BURRS AND BREAK SHARP CORNERS	
	1'-120" ± 1/8"				
	120"-400" ± 1/4"				
DRAWN: C. TAYLOR		DATE: 7-19-82		DRAWN TITLE: CELL ASSEMBLY MOD. C-510 FLOTATION CELL	
CHKD: ARM		DATE: 7/29/82		JOB No. 8453	
APPD: ARM				DEPT. 880-089	
				SCALE: NONE	
				SHEET 1 OF 2	



DETAIL Z



DETAIL Y

SECTION THRU CENTER CELL
SEE PLAN FOR TRUE ORIENTATION

SEE SHEET #1

LET	DESCRIPTION	BY	CHKD	DATE
REVISION				
UNLESS OTHERWISE NOTED				
FRACTIONS:	ANGLES ± 0° 30'	DRAWN	NAME	DATE
0'-12" ± 1/16	DEC. ± .015	CHKD		
1'-120" ± 1/8	REMOVE BURRS	APPD		
120'-400" ± 1/8	AND BREAK			
	SHARP CORNERS			
DWG TITLE:		JOB No. 3453		
CELL ASSEMBLY		DWG. No. 880-089		
MODEL C-570		REV C		
AIR DISSOLVING FLOTATION		SCALE: NONE		
		SHT 2 OF 2		

CUSTOMER

ANCHO MURZIETA

BY C. TAYLOR DATE 7-12-82 JOB NO. 3453
 APPD ARM DATE 7/29/82 SHEET 1 OF 2

TITLE CELL ASSEMBLY
 C-570 ROTATION CELL
 PARTS LIST NO. REV. A
 PL 880-089



Serck Baker

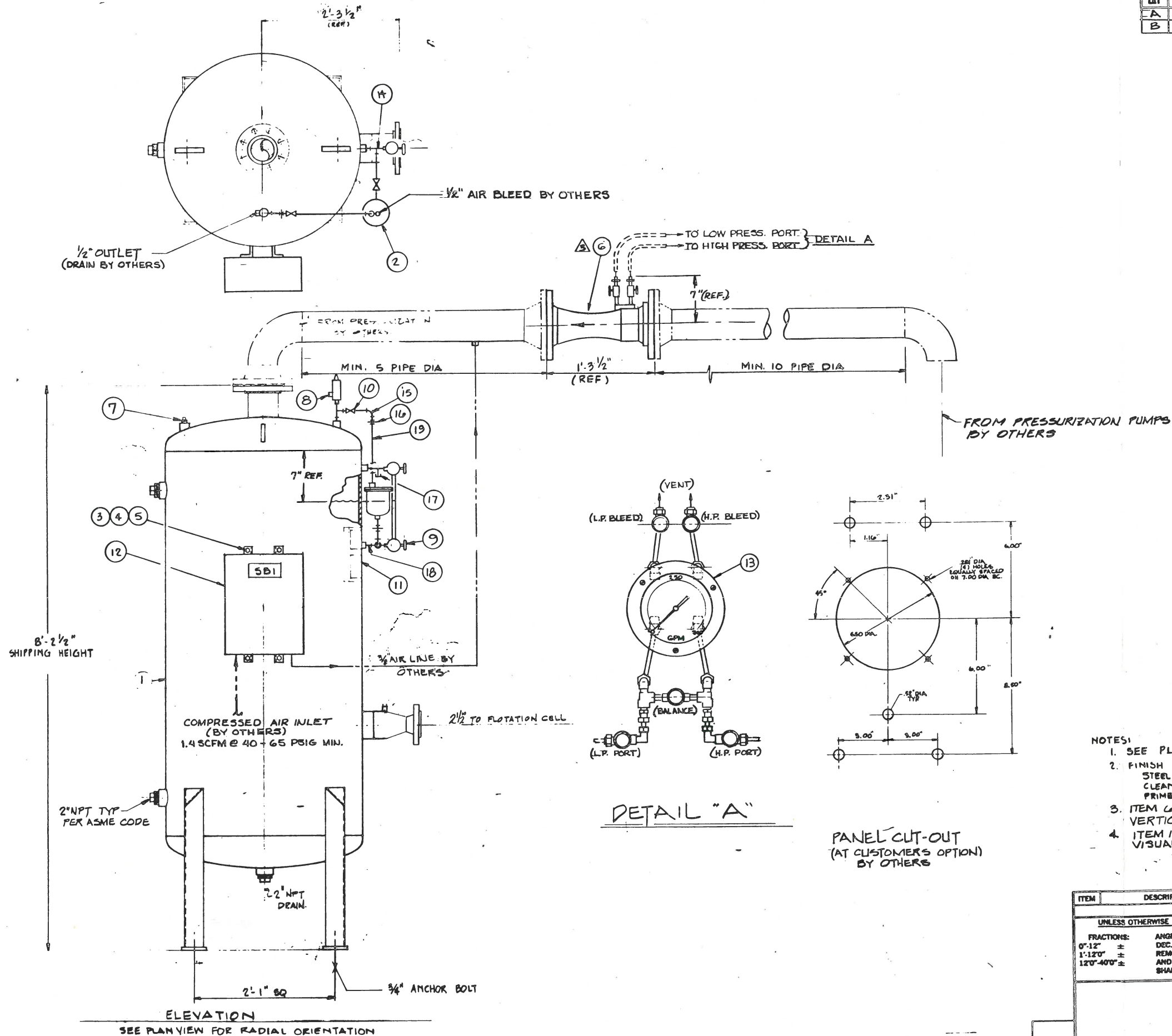
ITEM NO.	QTY	PART NAME	DESCRIPTION	REF	PART/STKNO.	P.O. NO.	SOURCE	DATE RECD	RECD BY	DATE OUT	OUT BY
1	1	CELL FAB, C-570	21'-0" O.D. X 12'-2"		609-075		SBI				
2	1	SCRAPER, TOP	4 ARMS		499-107		SBI				
3	1	SCRAPER, BOTTOM			499-036		SBI				
4	1	BRIDGE, LADDER, HANDRAIL ASSY			050-041		SBI				
5	1	SHARP ASSY			520-09610		SBI				
6	1	BEARING, BOTTOM			037-002		SBI				
7	1	COUPLING			510-2		SBI				
8	1	BEARING, FLANGE	1 5/8" X 1 3/4" BORE, LOVEJOY #1225		517		SBI				
9	1	BOLT, HEX HD	1 5/8" BORE DODGE TYPE E		SAE 4R 5		SBI				
10	8	NUT, HEAVY, HEX	1/2" UNF-2A X 6 1/2		ZPS						
11	1	MOTOR, VARI-DRIVE	1/2" UNF-2B		182C-E71						
			3/4 HP, 3/60/230/460 Volt								
			STERILISEAL PROTECTION								
12	1	GEAR REDUCE R	POS. FC-800-C-1, STERILIZING		BMCVD-1						
			1500:1, RH-LO W/TORQUE CONTROL, WINSMITH								
13	1	LOAD MONITOR	SELO		20D24C						
14	4	BOLT, HEX HD	1/2" UNF-2A X 2 1/2		ASTM A307						
15	3	CAP SCREW	1/2" UNF-2A X 2 1/2		A449						
16	4	WASHER, FLAT	1/2" REG		A325						
17	5	WASHER, FLAT	1/2" HELICAL SPRING		ZPS						
18	8	BOLT, HEX HD	5/8" UNF-2A X 2 1/2		A307						
19	8	NUT, HEX	5/8" UNF-2B		A307						
20	4	WASHER, FLAT	5/8" REG		A325						
21	4	WASHER, LOCK	5/8" HELICAL SPRING		ZPS						
22	1	NAMEPLATE			600-1		SBI				
24	1	VALVE DIAPHRAGM	2 1/2" FLG, WEIR, GRINNELL		601-5		SBI				
25	1	GASKET	2" RING TYPE		NEOPRENE						
26	1	HEADER, SPRAY ASSY.	1 1/2" PER DWG.		253-013						
27	1	BOLT, U-	1/4" X 1 1/2" IPS ELECTRO-GALV.		FIG-20		SBI				
28	6	WASHER, LOCK	1/4" HELICAL SPRING.		ZPS		ITT GRINNELL				
29	6	NUT, HEX.	1/4"-20 UNF-2B		ASTM A-307						

Ⓐ

Ⓐ

Ⓐ

REVISIONS				
LET	DESCRIPTION	BY	CHECK	DATE
A	GENERAL REVISIONS	TW	ARM	9/22
B	REV LOCATION OF AIR RELEASE VALVE	TW	ARM	



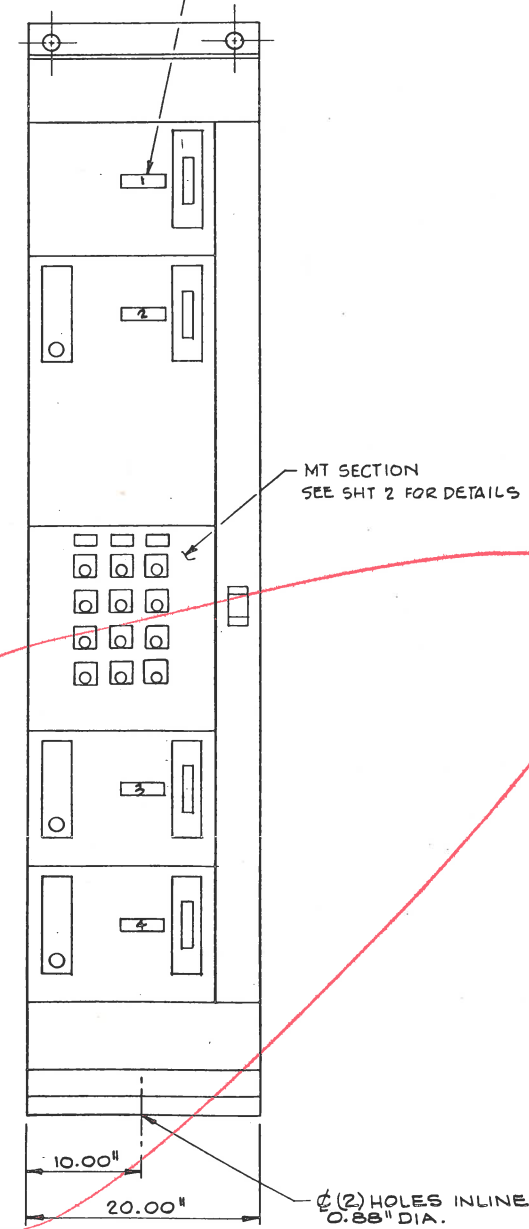
ITEM	DESCRIPTION	PART/STK. NO.	MATL./MFR.	SIZE	QTY.
BILL OF MATERIAL					
UNLESS OTHERWISE NOTED		NAME	DATE		
FRACTIONS:	ANGLES ±	DRAWN	C. TAYLOR	7-14-82	
0"±	DEC. ±	CHECKED			
1"-120" ±	REMOVE BURRS	APPROVED	ARM	7/29/82	
120"-400" ±	AND BREAK SHARP CORNERS				
		DRAWN TITLE:			
		ART TANK ASSEMBLY			
		ADT-300			
		36" Ø x 5'-0" H.			
JOB No.	3453	DWG. No.	875 106		
DEPT.					
SIMILAR:	NONE	SHT	1	OF 1	

BAKER FILTRATION COMPANY
HUNTINGTON BEACH CALIFORNIA

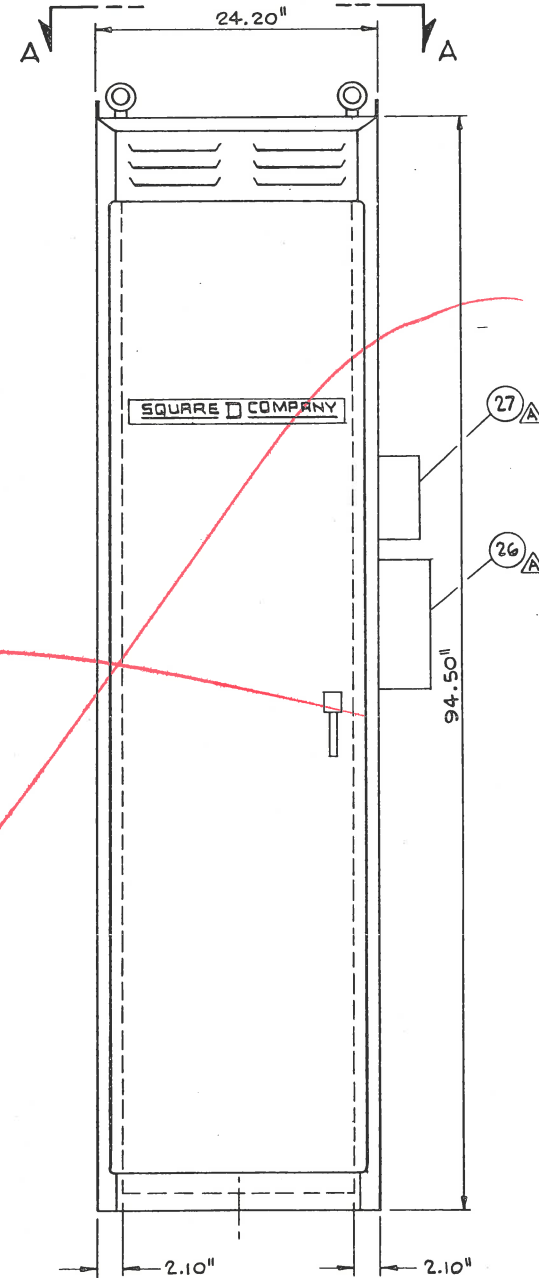
NOTES:

1. MOTOR CONTROL CENTER TO BE SQUARE-D COMPANY CLASS 899B, MODEL 4, 3R NEMA TYPE ENCLOSURE, 20" DEEP FRONT-OF-BOARD, 1 SECTION SPLIT, 6 1/2 SPACE FACTORS PER SECTION FRONT, 480V., 3 PHASE, 60 HZ. CONTROL POWER.
2. SEE PL 824-353 FOR LIST OF MATERIALS
3. SEE DWG 447-236 FOR ELECTRICAL SCHEMATIC

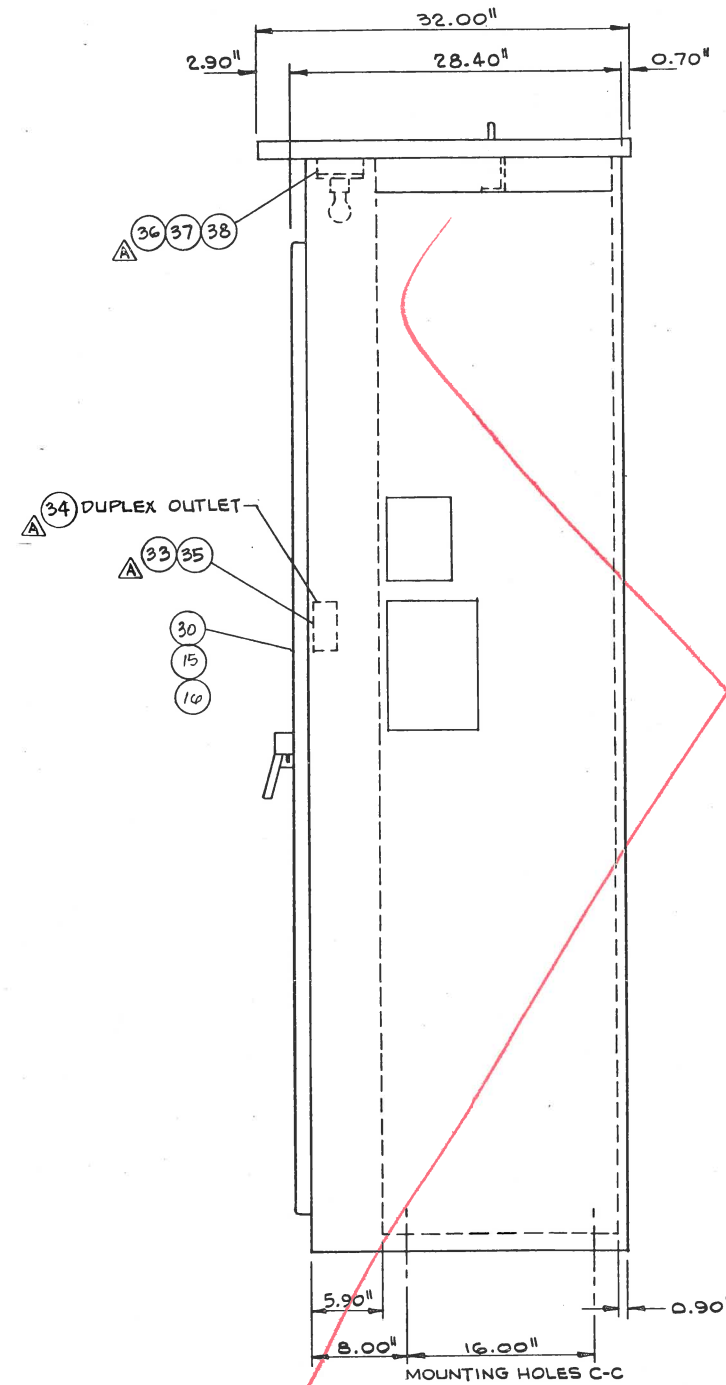
NAMEPLATE LEGENDS (TYP)
SEE DWG 181-092



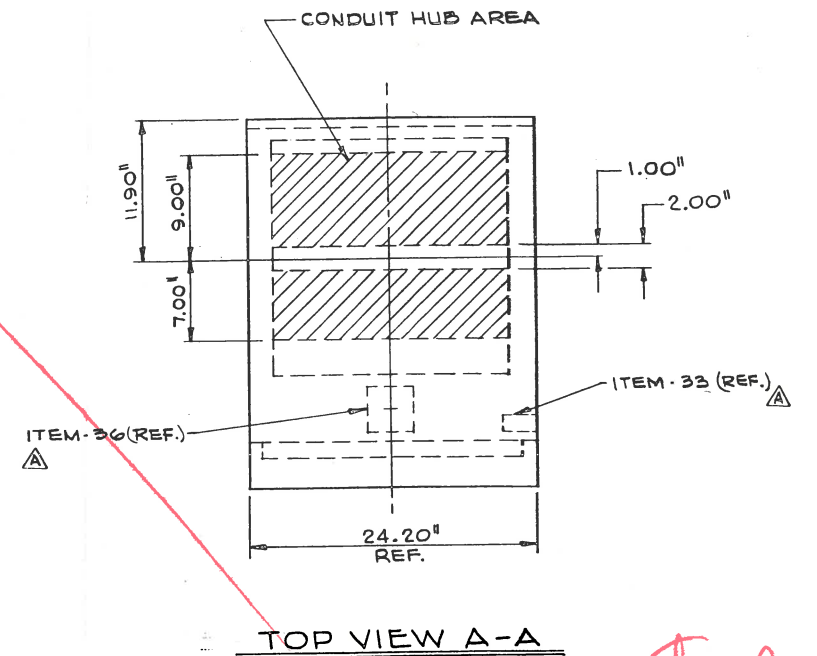
**FRONT VIEW
BASIC ENCLOSURE
DOOR OPEN**



FRONT ELEVATION



SIDE VIEW



TOP VIEW A-A

See master copy

A	ADDED ITEMS 26, 27, 33 THRU 38	CK	EV	11-18-82
LET	DESCRIPTION	BY	CHKD	DATE
REVISION				
UNLESS OTHERWISE NOTED				
FRACTIONS:	ANGLES ±	DRAWN	NAME	DATE
0'-12" ±	DEC. ±	ED RUIZ		9-8-82
1'-12" ±	REMOVE BURRS	CHKD		
12" ±	AND BREAK	APPD	EV	11-18
	SHARP CORNERS			
RANCHO MURIETA WASTEWATER RECLAMATION FACILITY			Serck Baker DWG TITLE: ELECTRICAL ENCLOSURE MOTOR CONTROL	
JOB No. 3453	DWG. No. 824-353	REV		
DEPT.		824-353	A	
SCALE: 1/2" = 1'-0"	SHT 1 OF 2			

CUSTOMER

BY C. TAYLOR
APPD EV

DATE 1-23-82
DATE 11-18

JOB NO. 3453
SHEET 1 OF 4

TITLE ELECTRICAL ENCLOSURE
PARTS LIST NO. PL B24-353
REV. A



ITEM NO.	QTY	PART NAME	DESCRIPTION	REF	PART/STK NO.	P.O. NO.	SOURCE	DATE RECD	RECD BY	DATE OUT	OUT BY
1	5	3PDT RELAY	120VAC SQUARE "D"	8501	KU-13-120						
2	6	RELAY BASES	"	"	NR-82						
3	1	RELAY TRACK	"	"	NT-13						
4	82	TERMINALS	"	9080	GB-6						
5	6	END BARRIARS	"	"	GB-6B						
6	12	END CLAMPS	"	"	GH-10						
7	2	TRACK	"	"	GH-14B						
8	21	LEGEND PLATES	"	9001	SKN-700						
9	1	LIT PUSH BUTTON	"	9001-SK11-38RH13							
10	5	RED PILOT LIGHTS	"	" SKP-38R7/SK-49							
11	4	GREEN PILOT LIGHTS	"	" SKP-38G7/SK-49							
12	1	3 POS SEL. SW.	"	9001 SKS-43BH13							
13	2	2 POS SEL. SW.	"	9001 SKS11BH13							
14	4	PUSH BUTTON	"	" SKR-1UH13							
15	6	AUX. CONTACTS	"	9999 -SX-7							
16	12	"	"	9999 -SX-6							
17	6'	2X3 WIRE DUCT	PANEL-CHANNEL	1203 -	GLS-WHITE						
18	6'	2" COVER	"	X20 -	GLS-WHITE						
19	12'	1X3 WIRE DUCT	"	T103 -	GLS-WHITE						
20	12'	1" COVER	"	X10 -	GLS-WHITE						
21	1	ENCLOSURE	HOFFMAN 14'x12'x6"		A-1412CHNF						
22	1	MOUNTING PANEL	"		A-14P12						
23	1	CYCLE TIMER	EAGLE SIGNAL	DA191A3							
24	1	LATCH KIT	"	D2100-S6							
25	1	BASE	"	PDC-58A							
26	1	TRANSFORMER	SKVA 480V/120V		STOCK						
27	1	SAFETY SWITCH	300A 600V SQUARE D		H361RB						
30	1	MOTOR CONTROL CENTER	PER ATTACHED								
		DATA SHEETS									

See master copy
Rev B

*See Master Copy
Rev B*

F.O. No. _____ MCC No. _____

3" Removable Lifting Angle

Each Letter Indicates 1/2 Space Factor.

A	BW	426
B		
C		
D	FC	403
E		ET
F		
G	HT	403
H		
I		
J	FD	403
K		ET
L	FD	403
M		ET
N		

90 1/8"

14" Base Channels

OVERALL LENGTH 20"

SPECIAL REQUIREMENTS

1 U2 BUS BARRIERS

1 U8 HORIZ. GND. BUS

1 U14 COPPER BUS TIN PLATED

3- 9999 50-4 OVERLOAD RELAY

ISOLATED ALUM. CONTACTS SUPPLIED

TO BE FIELD INSTALLED.

FULL LOAD CURRENTS TO BE SUPPLIED FOR THERMAL UNIT SELECTION.

Space Factors Per Section Front

Volts 480 Phase 3 Wire 3 Hertz 60

Control Volts 120

Supply Enters Section No. 1

Conductor Size 1/0

DISTRIBUTOR ASSOCIATED WHOLESALE ELECTRIC

ORDER NO. TO BE GIVEN

USER SERCK-BAKER

LOCATION HUNTINGTON BEACH, CA.

Enclosure NEMA Type 3R

Depth 14" 20"

Horizontal Bus Bracing Symm. 22,000 42,000 65,000

Available Fault Current Amp. Symm.

NEMA WIRING Class I Type Class II Type

Field Eng. TERRY BATTEN

Date 7/24/82

Page of Findings 1

APPD BY

SQUARE D COMPANY

CLASS 8998-8999 MODEL 4

MOTOR CONTROL CENTER

INFORMATION SHEET

Use Letter Designation Q-Z Only For Rear Or Back-To-Back Sections.

O P Q R S T U V W X Y Z

LET	DESCRIPTION	BY	CHKD	DATE
-----	-------------	----	------	------

REVISION

UNLESS OTHERWISE NOTED		NAME	DATE
FRACTIONS: 0'-12" ± 1'-12'0" ± 12'0"-40'0" ±	ANGLES ± DEC. ± REMOVE BURRS AND BREAK SHARP CORNERS	DRAWN C. TAYLOR CHKD APPD EV	9.23-82 11-18



DWG TITLE:
MOTOR CONTROL CENTER
DATA

JOB No. 3453	DWG. No. P/L 824-353	REV A
DEPT.	SCALE: NONE	SHT 2 OF 4

P/L 824-353 2/3

MCC No.

FORM NUMBERS:		CODE LETTERS:		50-4 - ISOLATED ARMED CONTROL - FIELD INSTALLED						
A - Start-Stop Push Buttons On Door		NO - Extra Normally Open Elect. Interlock								
C - Hand Off-Auto Selector Switch On Door		NC - Extra Normally Closed Elect. Interlock								
P1 - Red Pilot Light On Door										
P2 - Green Pilot Light On Door										
FT - Cont. Ckt. Transf. With Fuse In 120V. Sec.										
S - Separate Control Ckt. Volts Hertz										
* THERMAL UNIT SELECTION DEPENDS ON FULL LOAD CURRENT SPECIFIED										
Unit Location	Circuit Designation On (Nameplate Details) Card Holder (STD) Engraved N.P. Black letters on white White letters on black	Unit Type No.	NEMA Size	H.P.	Full Load Amps C.B. Trip	(3) O.L. Thermal Units	Space Factor	SPECIAL FEATURES (Forms or Codes)	UNIT PRICE BREAKDOWN	Total List Price
B3	MAIN CIRCUIT BREAKER	BW426	-	-	60	-	1			
CE	FULL VOLTAGE REVERSING	FDV03	1	1	3	*	2	PT, 30-4		
GI	EMPTY UNIT FOR CUSTOMER USE INSTALLED IN FIELD	MTV02	-	-	-	-	-			
JK	FULL VOLTAGE NON REVERSING	FDV02	2	15	30	*	1	PT, 30-4		
LM	FULL VOLTAGE NON REVERSING	FDV02	2	15	30	*	1	PT, 30-4		

SQUARE D COMPANY

CLASS 8998-8999 MODEL 4 MOTOR CONTROL CENTER INFORMATION SHEET

Field Eng. TERRY BAATHMAN Date 7/27/82 Page 2 of 2 Field Office AMHSH

LET	DESCRIPTION	BY	CHKD	DATE
-----	-------------	----	------	------

REVISION

UNLESS OTHERWISE NOTED		NAME	DATE
FRACTIONS: 0"-12" ± 1'-12"0" ± 12"0"-40"0" ±	ANGLES ± DEC. ± REMOVE BURRS AND BREAK SHARP CORNERS	DRAWN C. TAYLOR CHKD APPD EV	9-23-82 11-18



DWG TITLE:
MOTOR CONTROL CENTER
DATA

JOB No. 3453	DWG. No. P/L 824-353	REV A
DEPT.	SCALE: NONE	SHT 3. OF 4

P/L 824-353 3/3

CUSTOMER

TITLE AIR PANEL Assy-



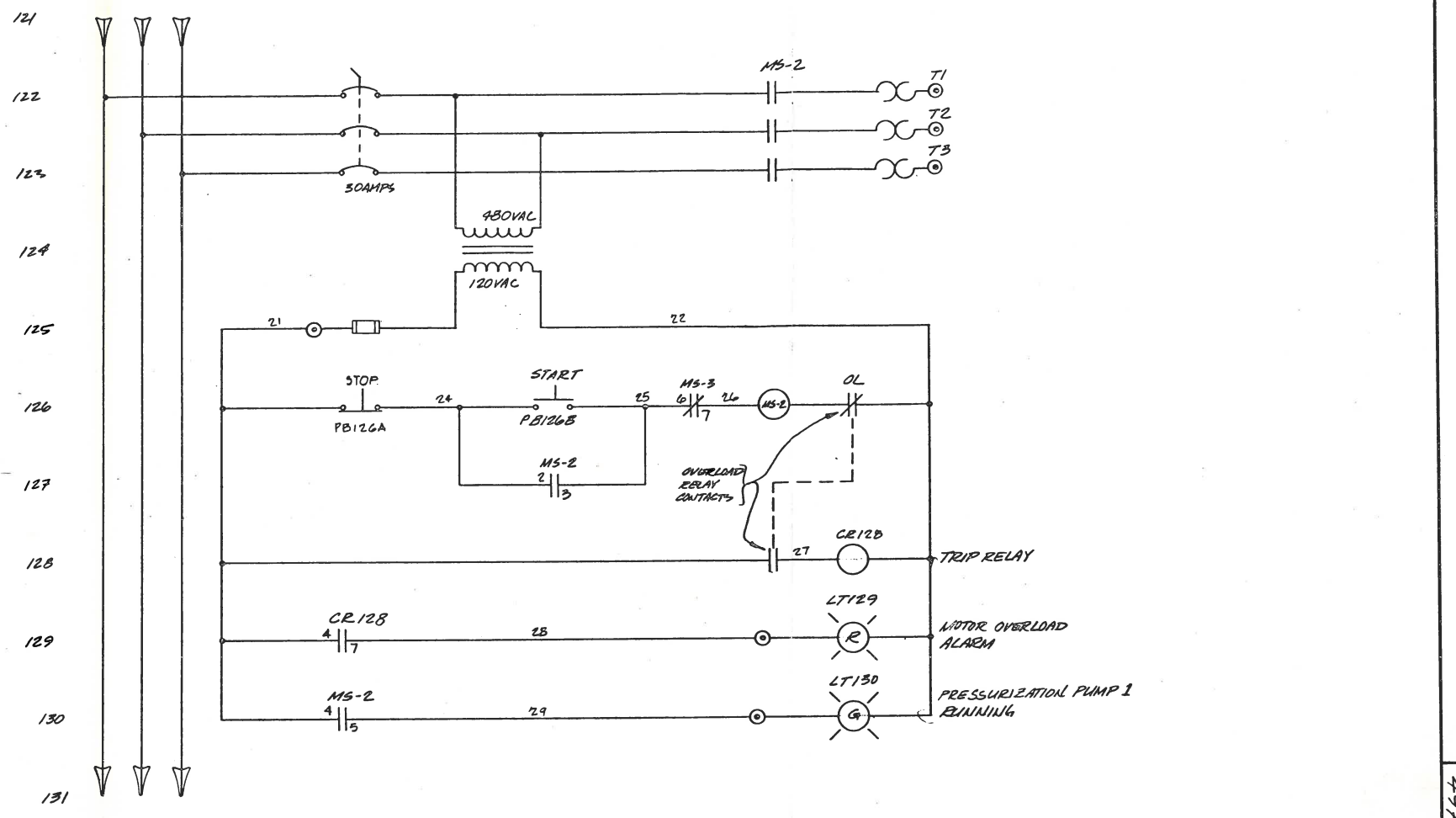
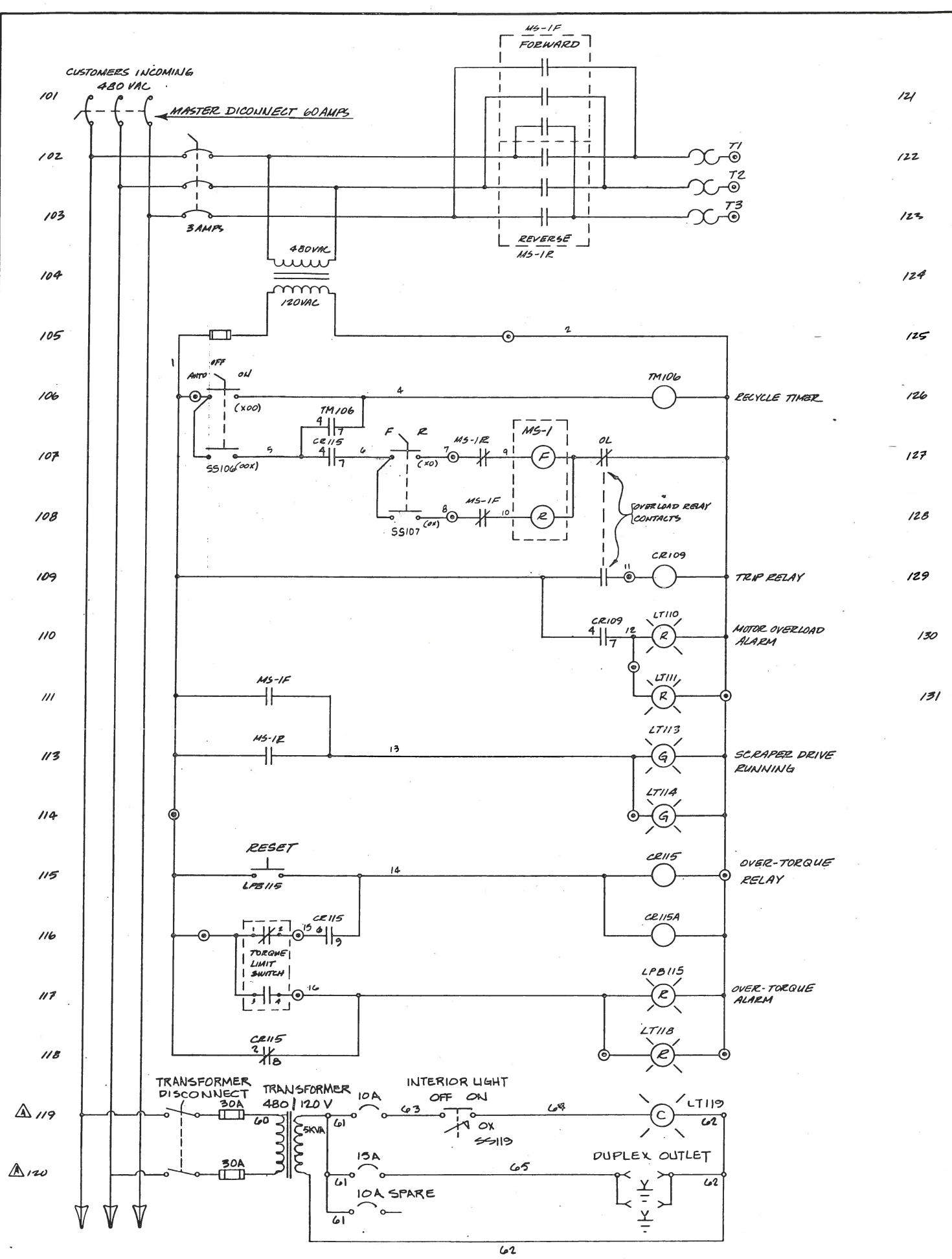
BY *T. G. G.* DATE 2-10-82 JOB NO. STD. SHEET 1 OF 1

0.3-3 JFM PARTS LIST NO. PL 824-348 REV. C

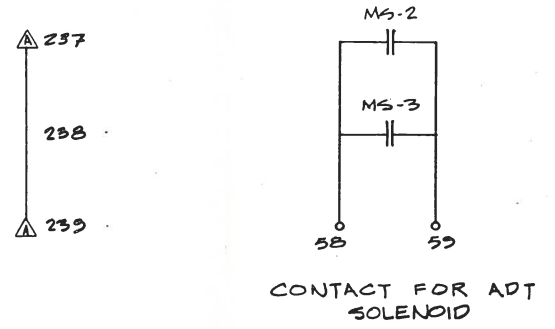
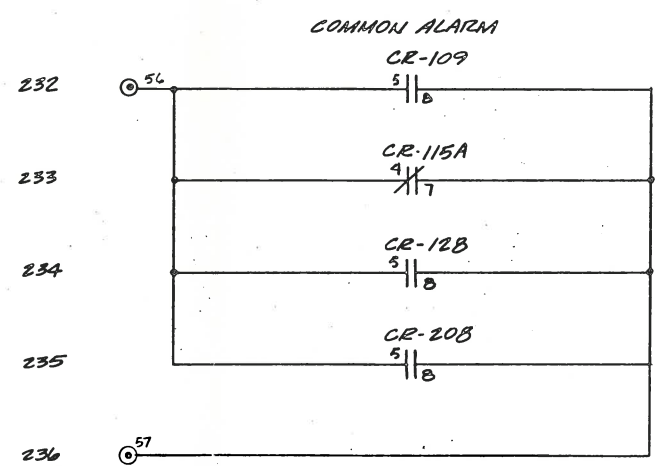
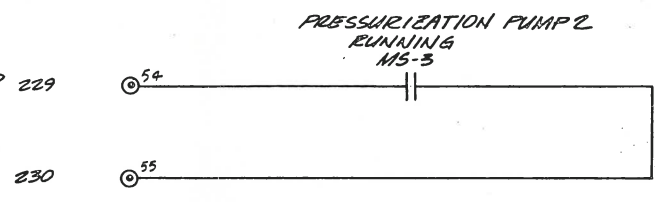
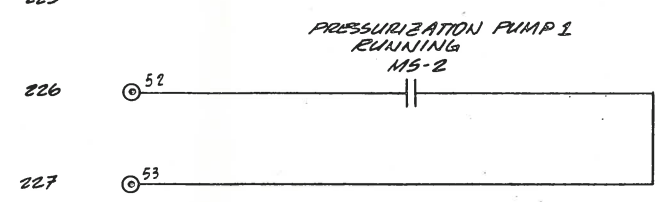
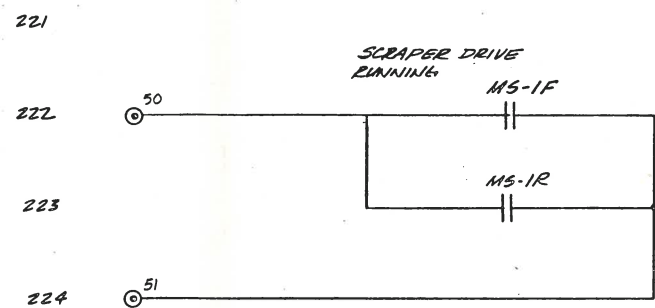
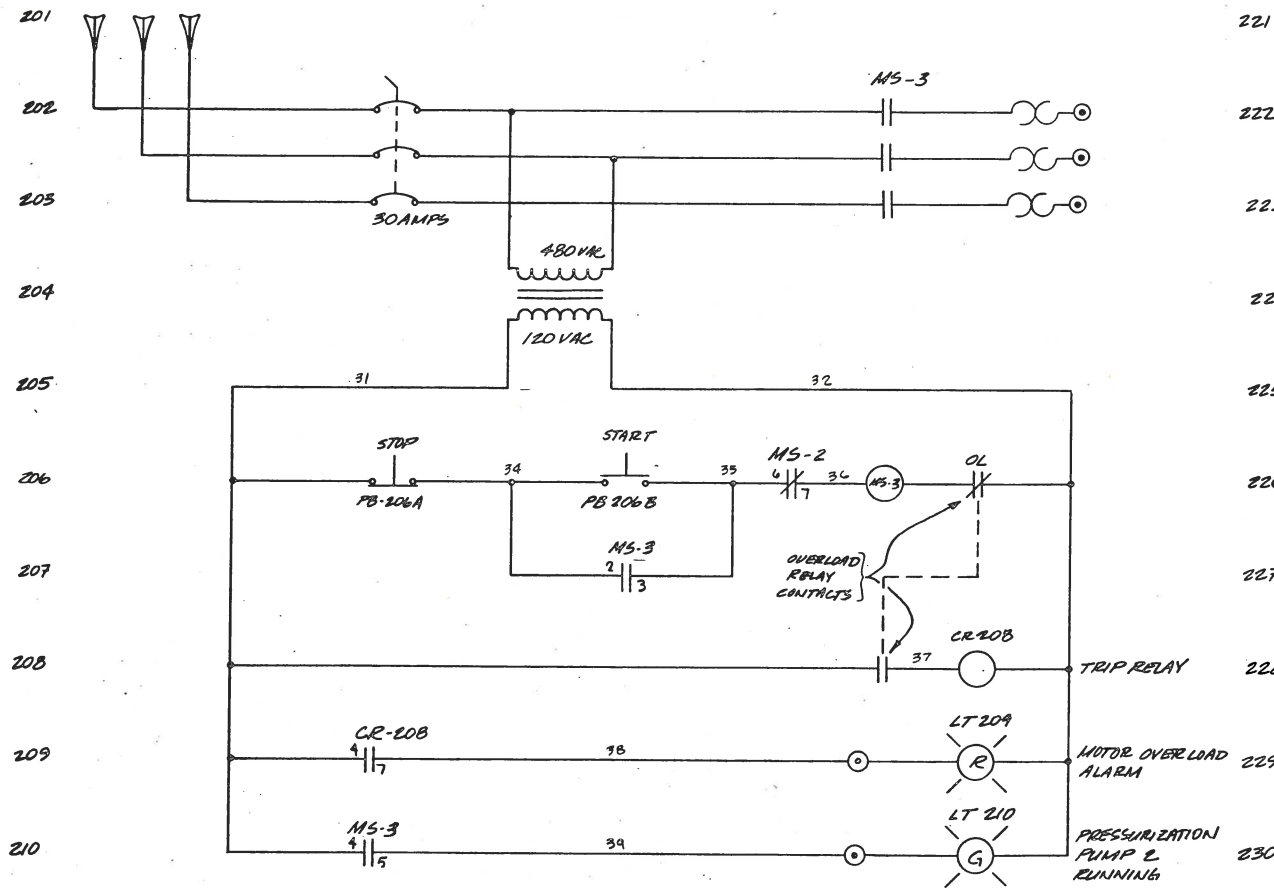
APPD *ARM* DATE 3/2/83

ITEM NO.	QTY	PART NAME	DESCRIPTION	REF	PART/STK NO.	P.O. NO.	SOURCE	DATE RECD	RECD BY	DATE OUT	OUT BY
1	1	ENCLOSURE	16 x 12 x 6 NEMA 3R		A16R126HCR						
2	1	FILT/REG AUTO DRAIN	HOFFMAN								
		1/2 GAUGE	1/4 FNPT 2-125 PSI PARKER		06E15A1BA						
3	1	ROTMETER	0.3-3 SCFM DWYER		VFB-90						
4	1	SOLENOID VALVE	3/8" FNPT ASCO 120VAC 60Hz		8211DI						
5	1	VALVE	1/4" FNPT x 1/4" MNPT IMP.		49E						
6	1	VALVE, NEEDLE	1/4" FNPT x 3/8" TUBE IMP.		311-C-04x06						
7	1	VALVE, 3WAY	1/4" FNPT IMP.		109-CF-04						
8	1	VALVE, CHECK	3/8" FNPT IMP.		81-C-06						
9	1 FT.	TUBING	1/2" CLEAR PVC		88.PVC						
10	1	CHASE NIPPLE	1/2"								
11	1	ANCHOR COUPLING	1/4" MNPT x 1/4" FNPT IMP.		129-B-04x24						
12	1	ELBOW, STREET	1/4" MNPT x 1/4" FNPT		BRASS						
13	1	MYERS HUB	1/2", ST-1		ZINC						
14	1	NAME PLATE ENGRAVING			181-031						
15	3	MALE CONNECTORS	3/8 MNPT x 3/8" TUBE		BRASS						
16	5	ELBOW, MALE	1/4" MNPT x 3/8" TUBE		"						
17	2	NIPPLE	1/4" x CLOSE		"						
18	1	TEE	1/4" FNPT		"						
19	2	REP. BUSHING	1/4" FNPT x 3/8" MNPT		BRASS						
20	3 FT.	NYLO-SEAL TUBE	3/8" BLACK								
21	1	NAME PLATE			8431						
22	1	MOUNTING BRACKET	for ITEM 2		PS109						
23	2	MALE CONNECTORS	3/8" TUBE x 1/8" MNPT		BRASS						
24	2	CAP SCREW, HEX. HD.	1/4-20UNC x 3/8" LG.		CAD PLATED						
25	2	WASHER, FLAT	1/4"								
26	2	WASHER, LOCK	1/4"								

REV "C" 3-10-83



B	AG BUILT	TW		
A	ADD REF LINES 119, 120, 237, 238 & 239	T.W.	EV	11-18-82
LET	DESCRIPTION	BY	CHKD	DATE
REVISION				
UNLESS OTHERWISE NOTED				
FRACTIONS:	ANGLES ±	DRAWN	NAME	DATE
0"-12" ±	DEC. ±	CHKD	TW	8-25-82
1'-120" ±	REMOVE BURRS	APPD	EV	11-18
120"-400" ±	AND BREAK SHARP CORNERS			
			DWG TITLE: SCHEMATIC-ELECTRICAL, CONTROL DAF C-570	
RANCHO MURIETA WASTEWATER RECLAMATION FACILITY		JOB No. 3453	DWG. No. 497-256	REV B
SCALE: NONE		SHT 1 OF 2		



LET	DESCRIPTION	BY	CHKD	DATE
REVISION				
	UNLESS OTHERWISE NOTED	NAME	DATE	
	FRACTIONS: 0'-12" ±	DRAWN	EV	8-23-82
	1'-120" ±	CHKD		
	120'-400" ±	APPD	EV	11-18
RANCHO MURIETA WASTEWATER RECLAMATION FACILITY				
JOB No. 3453		DWG. No. 497-236		REV B
DEPT.		SCALE: NONE		SHT 2 OF 2